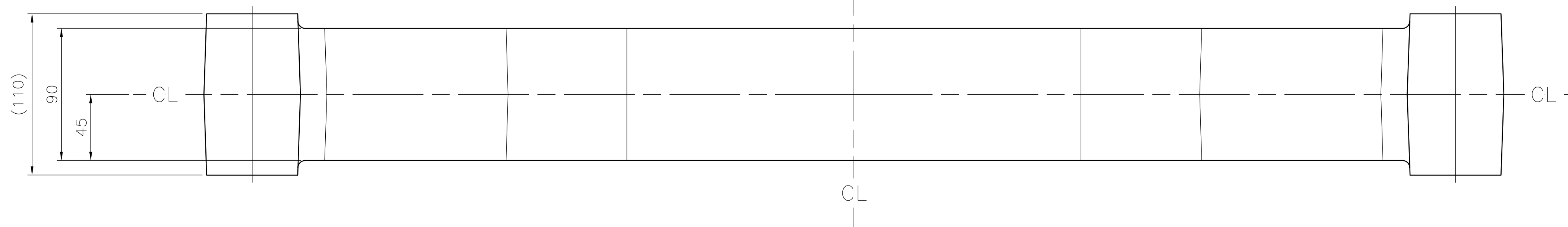
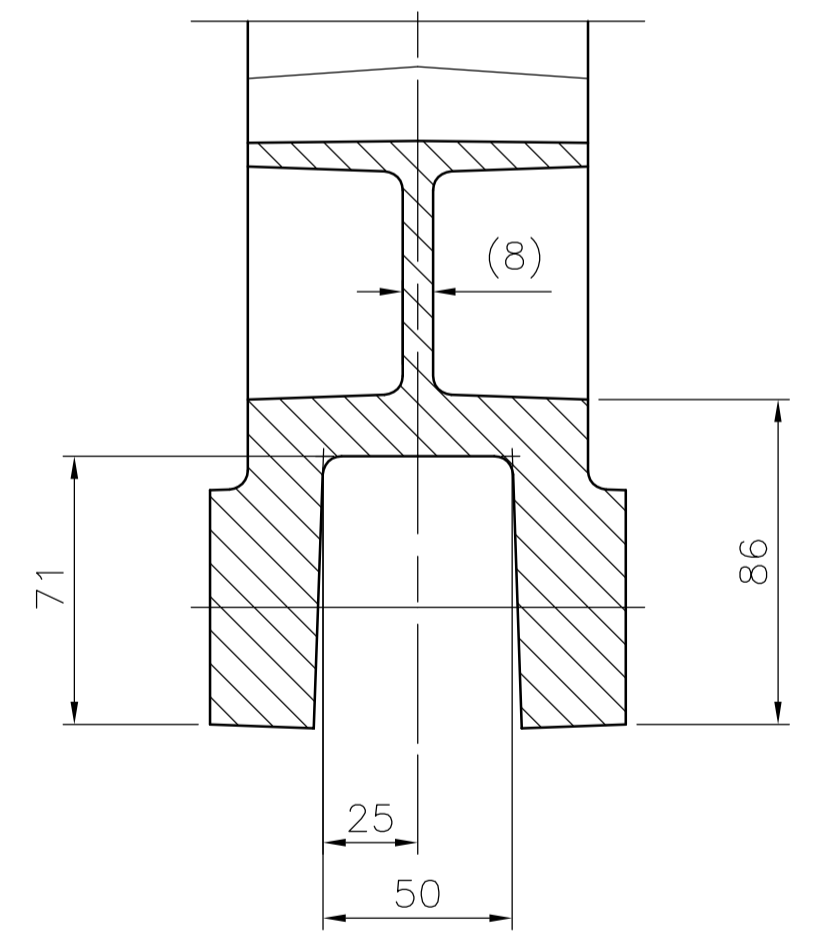
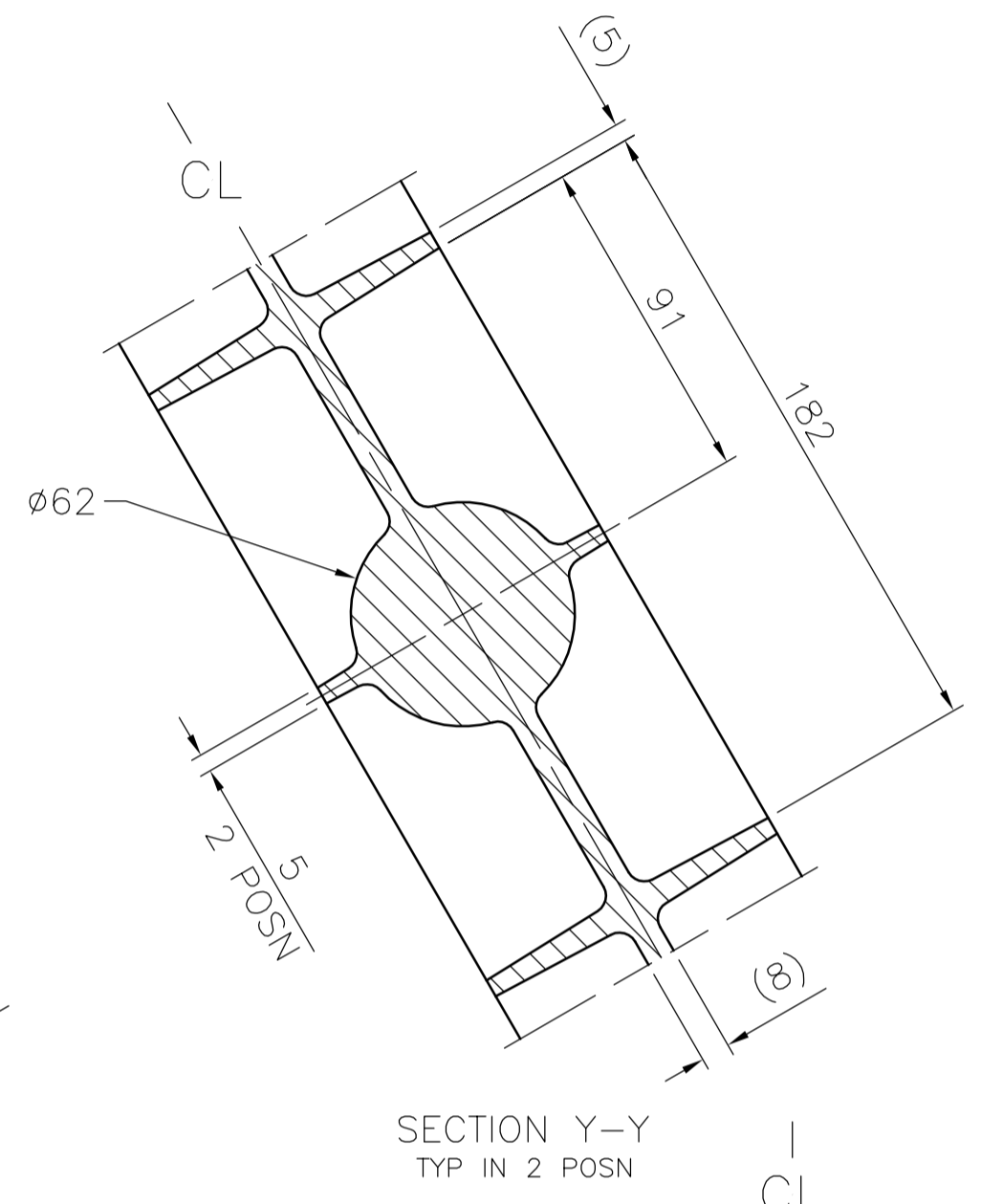
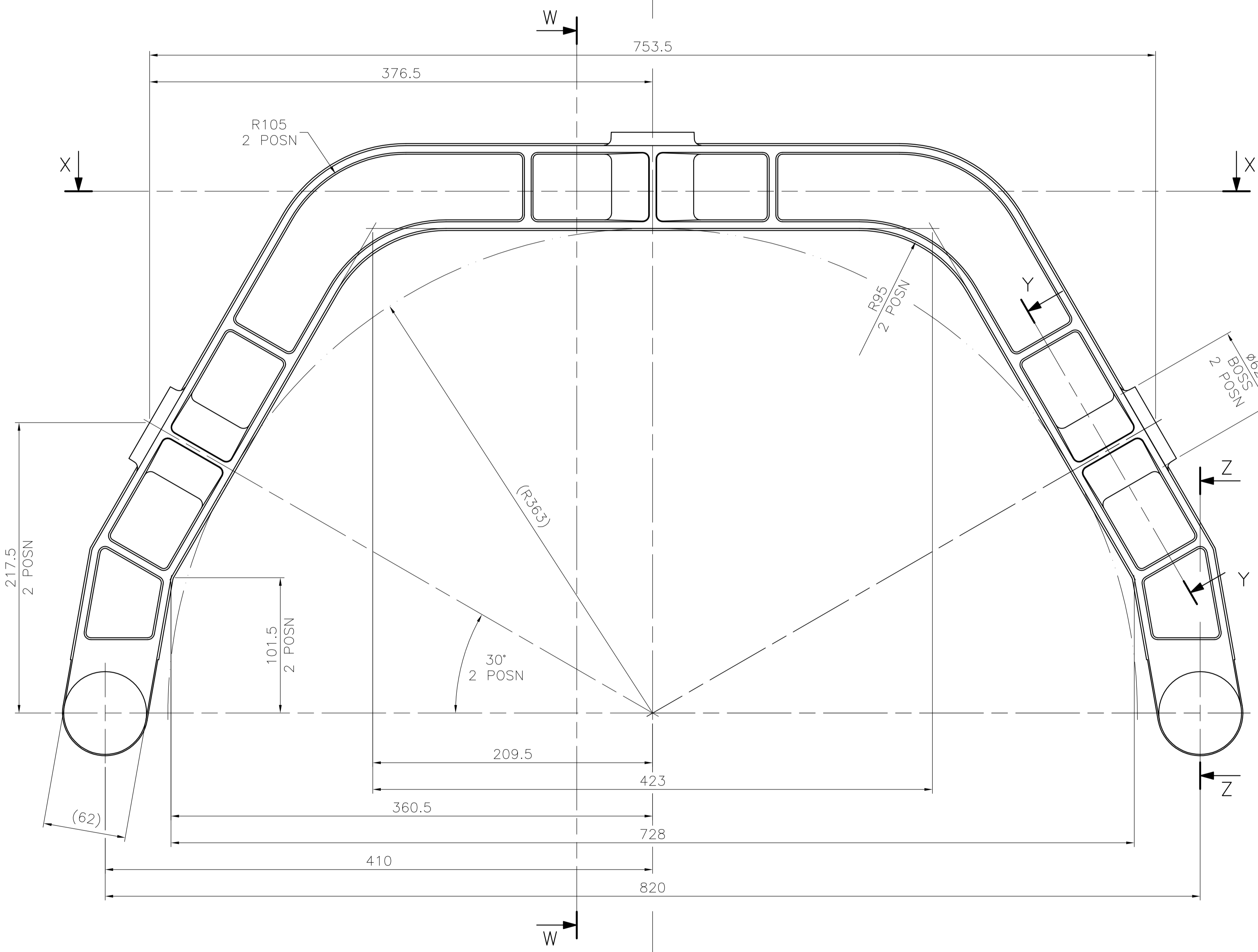
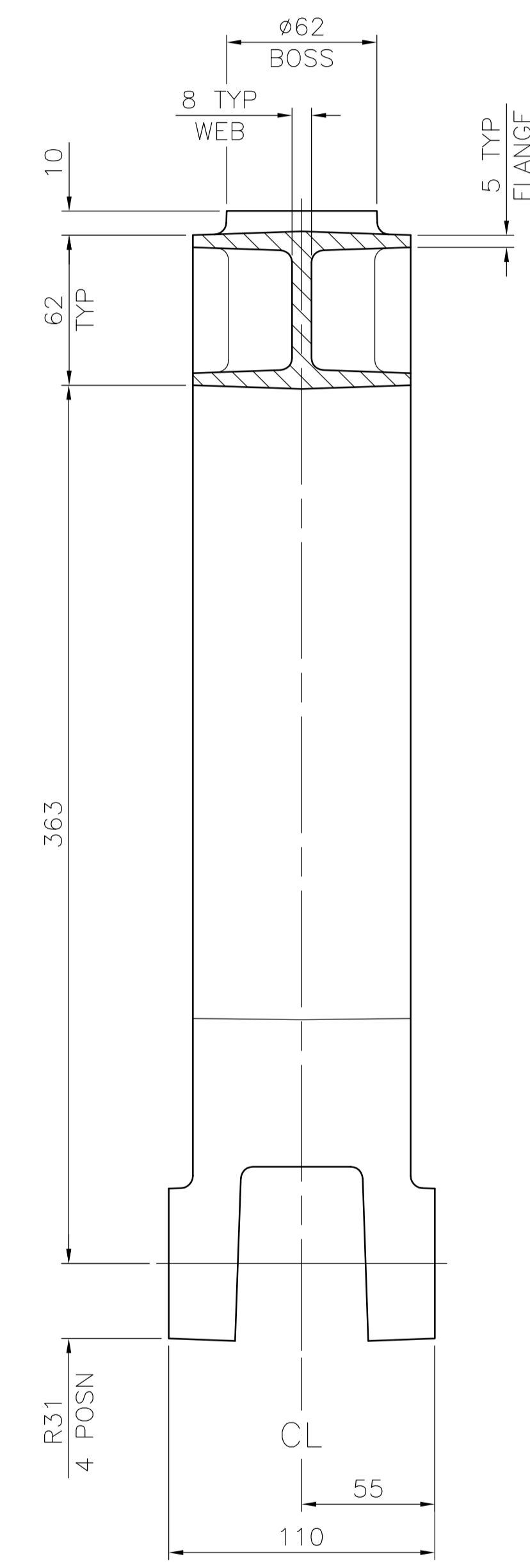
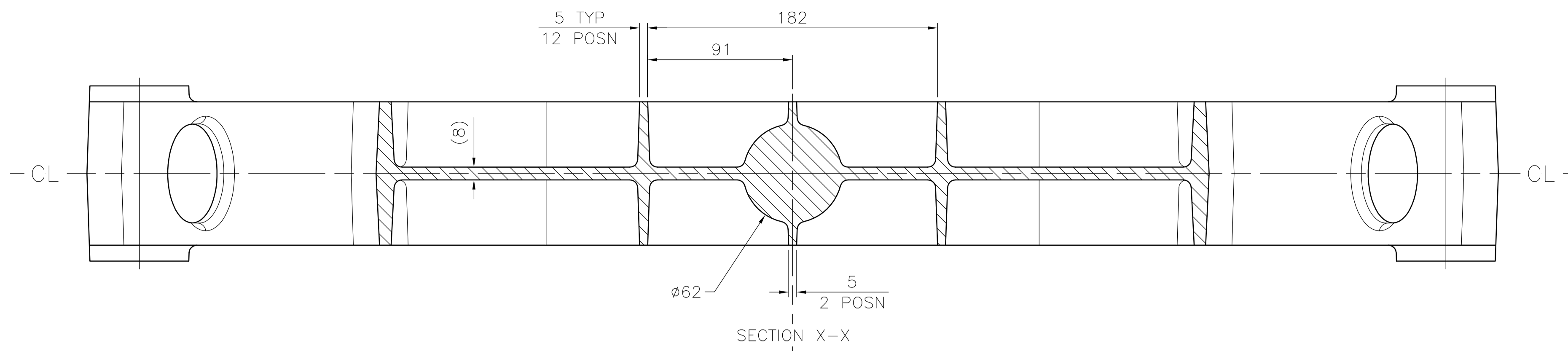


20130424-001

Drawing 20130424-001 Rotor Support, Upper Yoke, Casting Detail  
 Used on 20130425-002 Rotor Support, Upper Yoke, Machining Detail

- NOTES**
1. Draft angle to be 2° maximum.
  2. All unspecified radii to be 5mm.
  3. Remove all sharp edges with 0.5mm maximum radius or chamfer.
  4. Component is nominally symmetrical about all centre-lines marked CL, unless otherwise stated.
  5. All dimensions to be measured at sides of component unless otherwise stated.
  6. Tolerance to be ±1.0 linear; ±1° angular.



20130424-001

A	M Harrison	24.04.2013	First Issue	R Wilkins	28.04.2013
ISSUE	BY	DATE	DESCRIPTION	APPROVED	DATE
Material			Finish		
Cast Aluminium Alloy.			Natural.		
See 20130424-002			Clean & remove all general dirt & grease.		
for Specification					
Scale	Dimensions	Tolerance	Status	Projection	
1:2	mm	SEE NOTE 6	APPROVED	3rd Angle	
Drawing owner		Title			
remCAD		Rotor Support, Upper Yoke, Casting Detail			
Drawing number		Sheet		Issue	
20130424-001		1/1		A	